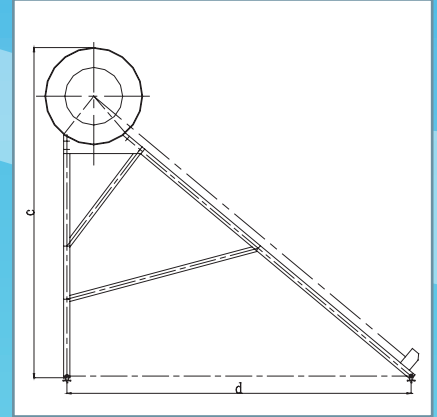
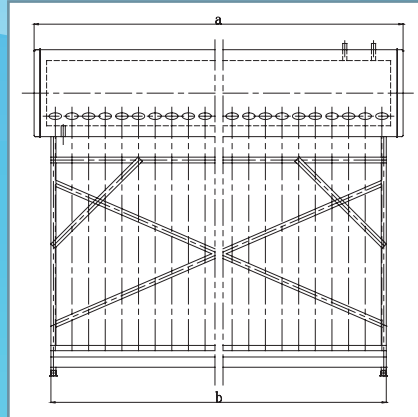


# SFA Model: Thermosyphon Tubular Solar Water Heater

## Description:

The design of this type uses the principle of Thermosyphon. It is a natural circulation process. This type uses double layers glass solar tubes. The water fills in the tubes, which is heated in the tank (which can vary between 85 and 220litres) by convection. It has obvious advantages: with a tank and the fittings are very low-cost.



Item No.	Specification				Tank's Capacity	Total Capacity	Effective collector area M <sup>2</sup>	size(mm)				Qty(set)	
	Diameter of water tank	Qty. of solar tubes	Diameter of solar tube	Length of solar tube				a	b	c	d	20'ft	40'ft
SFA42154715	Ø 420mm	15pcs	Ø 47mm	1.5M	84.2L	104.4L	1.25	1170	1060	1307	1346	77	157
SFA42184715	Ø 420mm	18pcs	Ø 47mm	1.5M	100.5L	124.7L	1.49	1380	1270	1307	1346	66	134
SFA42204715	Ø 420mm	20pcs	Ø 47mm	1.5M	111.4L	138.3L	1.66	1520	1410	1307	1346	60	122
SFA42244715	Ø 420mm	24pcs	Ø 47mm	1.5M	133.3L	165.5L	1.99	1800	1690	1307	1346	52	105
SFA42304715	Ø 420mm	30pcs	Ø 47mm	1.5M	166L	206.3L	2.49	2220	2110	1307	1346	42	85
SFA47155818	Ø 470mm	15pcs	Ø 58mm	1.8M	132.3L	172.9L	1.89	1348	1228	1594	1655	50	101
SFA47185818	Ø 470mm	18pcs	Ø 58mm	1.8M	148.6L	197.3L	2.27	1591	1471	1594	1655	43	87
SFA47205818	Ø 470mm	20pcs	Ø 58mm	1.8M	164.9L	219L	2.52	1753	1633	1594	1655	38	78
SFA47245818	Ø 470mm	24pcs	Ø 58mm	1.8M	197.5L	262.5L	3.03	2077	1957	1594	1655	33	68
SFA47305818	Ø 470mm	30pcs	Ø 58mm	1.8M	246.3L	327.5L	3.78	2563	2443	1594	1655	26	54

## Features:

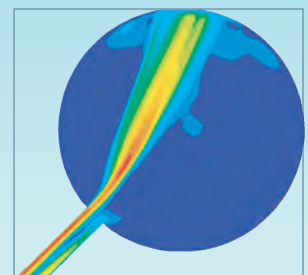
1. Beautiful in design and very convenient for family use.
2. Reliable and efficient with twin-glass solar tubes.
3. No corrosion: It can prevent corrosion caused by chlorine ion, sea water, salt water or buck water.
4. No leakage: Apply for special anti-corrosion layer.
5. Sanitary water: The qualities showed above make it possible that water quality is pure and no twice pollution.
6. Using the polyurethane to preserve heat, which makes people enjoy hot water in cold evenings.
7. Designing the immersion heater hole in advance for the cloudy, snowy, rainy days.
8. Easy plug-in installation.

## Scope of Application:

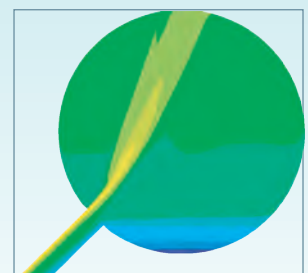
SFA is very popular in Asia, Africa, torrid zone and warm area.

## Notice:

1. The angle of the frame can be changed in the production process according to the local latitude condition of the customers. We can design the suitable angle for customers.
2. We offer the spare accessories and tubes for your orders for free.
3. We can offer water tanks, frames and tubes in different materials according to your request.
4. We offer the fittings of this system, such as immersion heater, water supplier, magnesium and so on. You can buy according to your requirement.



VELOCITY



TEMPERATURE