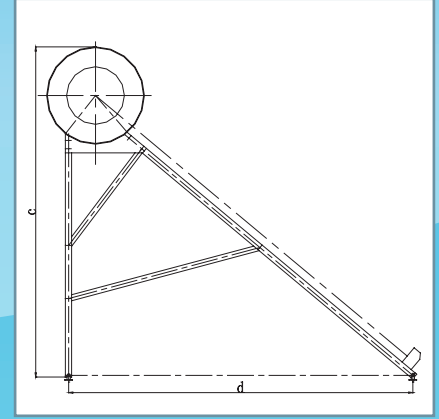
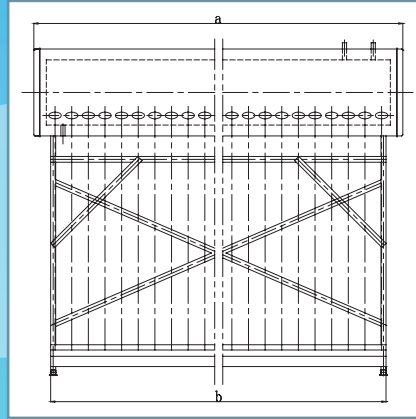
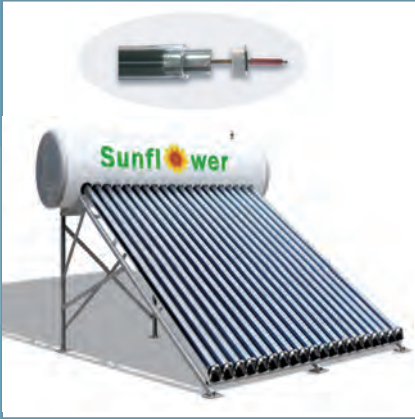


# SFH Model: Integrated Pressure System

## Description:

Enamel inner tank, pressurized system integrated with immersion heater, controller, P/T valve, etc. Let SFH consider more for you!



Item No.	Specification				Tank's Capacity	Total Capacity	Effective collector area M <sup>2</sup>	size(mm)				Qty(set)	
	Diameter of water tank	Qty. of solar tubes	Diameter of solar tube	Length of solar tube				a	b	c	d	20'ft	40'ft
SFH47155818	Ø 470mm	15pcs	Ø 58mm	1.8M	132.3L	172.9L	1.89	1440	1228	1594	1655	45	90
SFH47185818	Ø 470mm	18pcs	Ø 58mm	1.8M	148.6L	197.3L	2.27	1680	1471	1594	1655	38	78
SFH47205818	Ø 470mm	20pcs	Ø 58mm	1.8M	164.9L	219L	2.52	1840	1633	1594	1655	34	70
SFH47245818	Ø 470mm	24pcs	Ø 58mm	1.8M	197.5L	262.5L	3.03	2160	1957	1594	1655	29	61
SFH47305818	Ø 470mm	30pcs	Ø 58mm	1.8M	246.3L	327.5L	3.79	2640	2443	1594	1655	23	48

## Features:

- 1) Superior heat preservation ensured by 75mm polyurethane foam insulation layer
- 2) Designing the immersion heater hole in advance for the cloudy, snowy, and rainy days
- 3) Suitable for mains pressure water (up to 0.6MPa)
- 4) Immersion heater connects with SFH water tank
- 5) Material: galvanized sheet
- 6) Inner tank material: using pressurized material, the inner tank has the advantages as follows:
  - a) No corrosion: can prevent corrosion lead from chlorine ion, sea water, salt water or buck water
  - b) No leakage: applied for special anti-corrosion layer
  - c) Sanitary water: the qualities showed above make it possible that water quality is pure and no twice pollution
- 7) Able to be used in all climates
- 8) Automatic water supply, could supply water self-acting without any other installation and could able to be pressured



## Scope of Application:

It suit for the climate where are very hot, it will reach the best efficiency when use it near to the equator.

## Notice:

1. The angle of the frame can be changed in the production as the virtual geographical condition of the customers. We can design the suitable angle for the customers.
2. We offer the spare accessories and tubes for your order for free.
3. We can offer the different material of water tank, frame, and tubes according to your request.